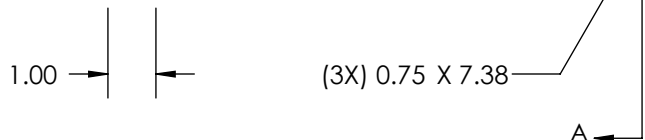
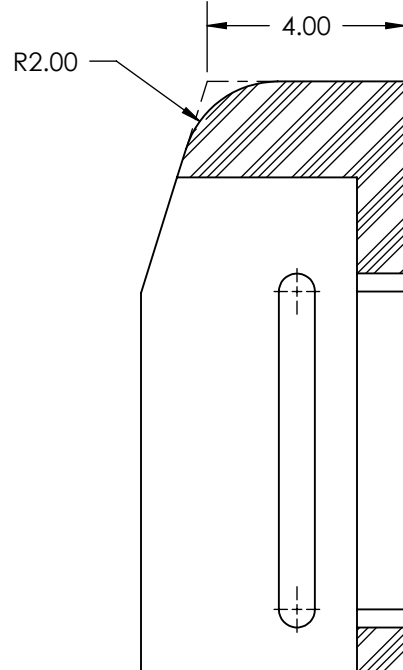
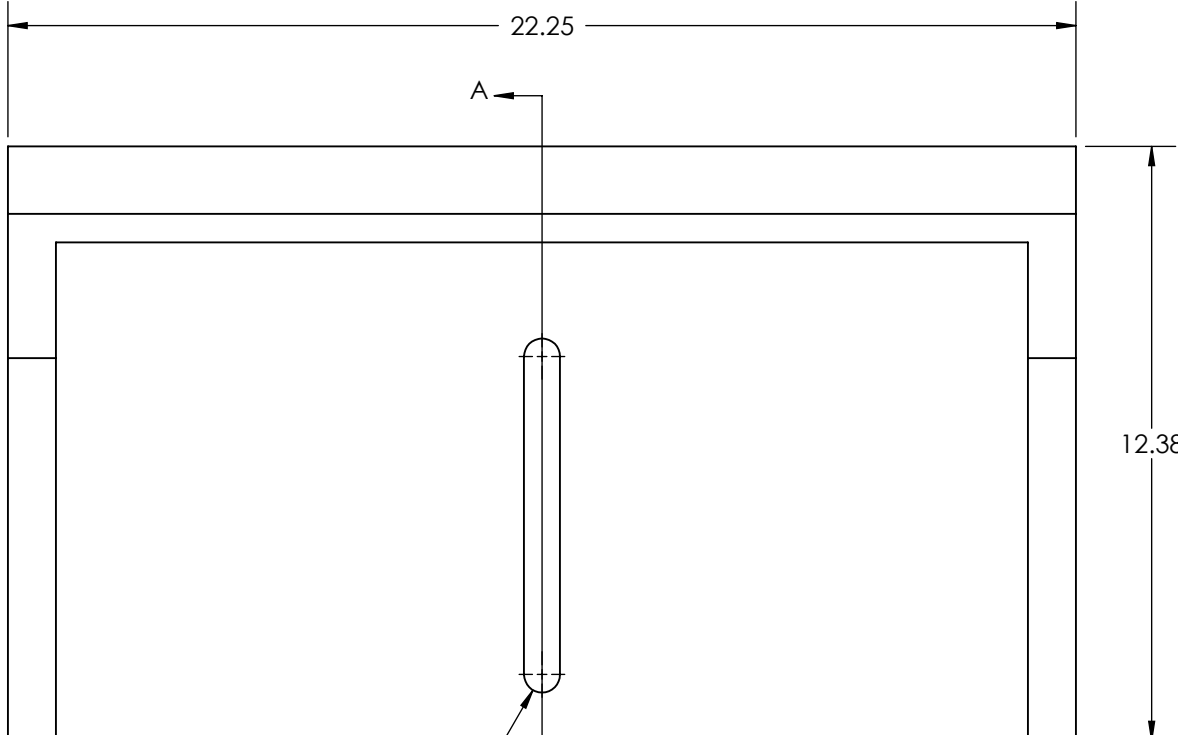
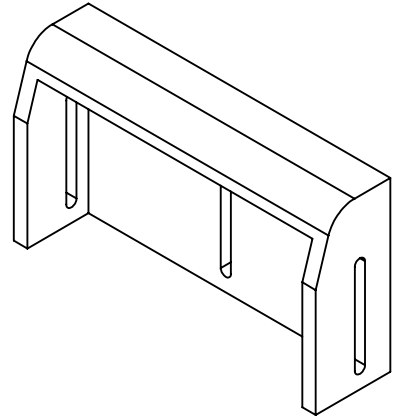
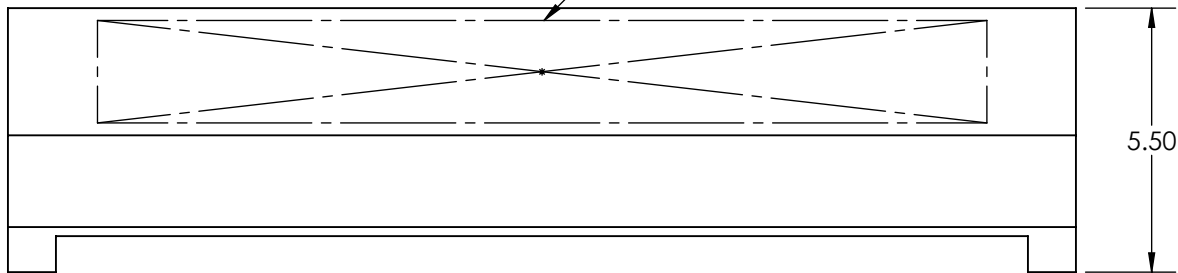


CUSTOM TEXT AVAILABLE IN THIS LOCATION



PART WT: 21.25 LBS

DR BY: JOR		PART NO. MP-CB-402225-B93	DWG NO. ENG-MP-CB-01
CHKD:	APPR:	DESC. CURB BOX - 4"	
MAT: ESTER 93	SHRINK: N/A	 ARGONICS ENGINEERED POLYURETHANE	520 9th St. Gwinn, MI 49841 PH: (906)226-9747 FX: (906)226-9779
UNLESS OTHERWISE SPECIFIED: DIMENSIONS ARE IN INCHES			SIZE A
PART (URETHANE) DECIMAL TOLERANCE 0.XX ±0.25 0.XXX ±0.125	INSERT/MOLD DECIMAL TOLERANCE 0.XX ±0.06 0.XXX ±0.005	This drawing contains confidential and proprietary information which is the exclusive property of Argonics, Inc. Possession of a copy of this document does not convey any rights contained to information therein. Written permission must be obtained from an authorized representative before copying this document or using it for any purpose.	
		Date: 04/01/10	
		SHEET 1 OF 2	