



**PUBLICWORKS**  
P R O D U C T S

## VALVE COVERS

*Polyurethane that performs*



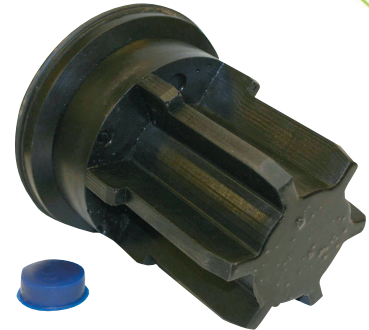
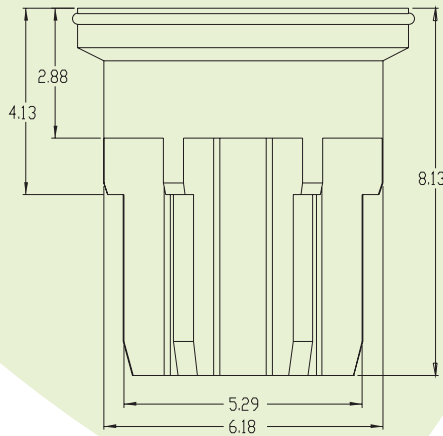
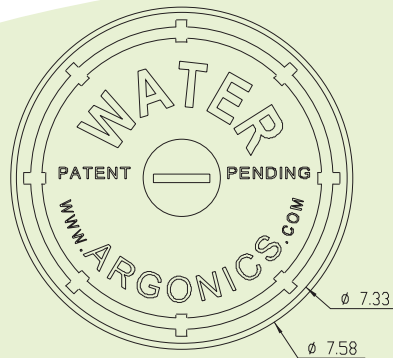
Our proprietary polymer blend results in performance polyurethane valve covers that last longer than steel yet are **easily trimmed for the perfect fit**. Argonics valve box covers keep out most contaminants, prevent valve box wear and reduce rattling noise 100%. They are tight enough so they won't pop or roll out, yet pliable enough so they don't need to be steamed to be removed, even in the worst winter weather. That's why more engineers and construction professionals are **making Argonics valve box covers the cover of choice for their most demanding applications**.

Argonics, Inc., the largest producer of performance polyurethane products, leads the industry in innovation. Visit [www.accu-rise.com](http://www.accu-rise.com) or call us today at **906.226.9747** or toll-free **800.991.2746**.



**Designed to fit most 7 9/16" valve box systems.**

More sizes will be available soon.



# VALVE COVERS

*Polyurethane that performs*



**ARGONICS**  
ENGINEERED POLYURETHANE

520 9th Street • Gwinn, MI 49841

906.226.9747 • 800.991.2746

fax: 906.226.9779 • [information@argonics.com](mailto:information@argonics.com)

[www.accu-rise.com](http://www.accu-rise.com)